

Two Part Cable Cleats



Eland Product Group: **FCG**

APPLICATION

Designed to support and retain your cables within your cable tray system. Easily stackable to save space.

CONSTRUCTION

Material

Polypropylene. Made of non-flame propagating material.



The electrical and dimensional properties of this product are measured by the Technical and Quality Assurance department at the Eland Cables laboratory. Cable performance in respect of conductor resistance, construction quality (workmanship), dimensional consistency, and other parameters are verified to published standards and approved product drawings. Conformance to RoHS (Restriction of the use of Hazardous Substances) is determined and confirmed.

CHARACTERISTICS

Temperature Rating

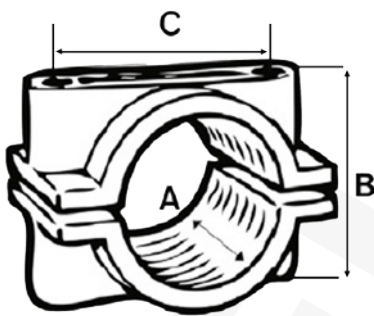
Constant: 80°C

Intermittent: 95°C

Color

● Black

DIMENSIONS



ELAND PART NO.	OVERALL CABLE DIAMETER		A mm	B mm	C mm	BOLT HOLES mm	PACK QUANTITY
	mm	inches					
TCC10	57 - 63.5	2.25 - 2.5	60	77	76.2	2 x 10	1
TCC11 CLEAT	63.4 - 69.8	2.5 - 2.75	63.5	86	114.3	2 x 10	1
TCC12	69.7 - 76.2	2.75 - 3	63.5	93	114.3	2 x 10	
TCC14	76.1 - 82.5	3 - 3.25	63.5	98.5	114.3	2 x 10	

The information contained within this datasheet is for guidance only and is subject to change without notice or liability. All the information is provided in good faith and is believed to be correct at the time of publication. When selecting cable accessories, please note that actual cable dimensions may vary due to manufacturing tolerances.