

107mm² Copper Silver Contact Wire



Eland Product Group: **91**

APPLICATION

Copper silver contact wire provides direct contact to pantograph transmitting power from overhead line system to the locomotive. The contact wire will be suspended from catenary wires via dropper wires.

CABLE STANDARDS

BS EN 50149 AC 107

Network Rail Certificate of Acceptance

No: PA05/05346



The electrical and dimensional properties of this product are measured by the Technical and Quality Assurance department at the Eland Cables laboratory. Cable performance in respect of conductor resistance, construction quality (workmanship), dimensional consistency, and other parameters are verified to published standards and approved product drawings. Conformance to RoHS (Restriction of the use of Hazardous Substances) is determined and confirmed.

CONSTRUCTION

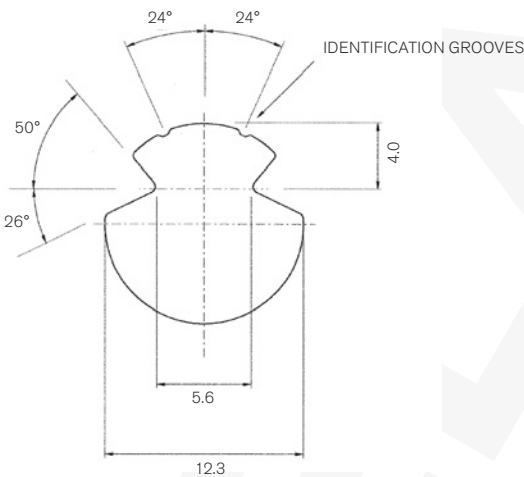
Drawing Number

1/148/440/A3

Material

Cu Ag - 0.1%

DIMENSIONS



ELAND PART NO.	NETWORK RAIL PART NO. / PADS	NOMINAL CROSS SECTIONAL AREA mm ²	OVERALL DIAMETER OF CONDUCTOR mm	MINIMUM TENSILE STRENGTH R _m N/mm ²	MINIMUM BREAKING LOAD F _M N	MINIMUM ELONGATION AT BREAK A ₂₀₀ %	MAXIMUM ELECTRICAL RESISTANCE R ohms/km	WEIGHT kg/km
91/012685	0091/012685	107	12.3	360	37400	3	0.171	952

The information contained within this datasheet is for guidance only and is subject to change without notice or liability. All the information is provided in good faith and is believed to be correct at the time of publication. When selecting cable accessories, please note that actual cable dimensions may vary due to manufacturing tolerances.