

107mm² Contact Wire with ID Groove (Hard Drawn Copper)



Eland Product Group: **91**

APPLICATION

Contact wire provides direct contact to the pantograph transmitting power from the overhead line system to the locomotive. The contact wire will be suspended from catenary wires via drop wires.

CABLE STANDARDS

BS EN 50149, OEE 156/035



The electrical and dimensional properties of this product are measured by the Technical and Quality Assurance department at the Eland Cables laboratory. Cable performance in respect of conductor resistance, construction quality (workmanship), dimensional consistency, and other parameters are verified to published standards and approved product drawings. Conformance to RoHS (Restriction of the use of Hazardous Substances) is determined and confirmed.

CONSTRUCTION

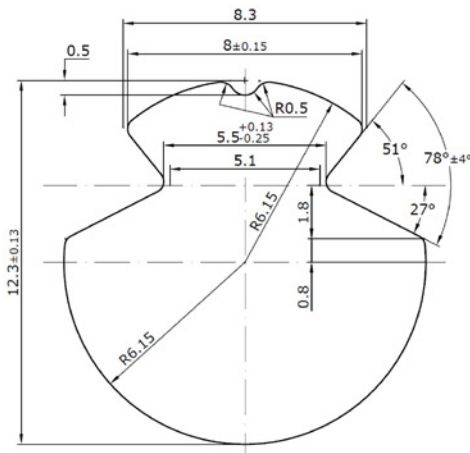
Drawing Number

148/057/A4

Material

Hard drawn copper

DIMENSIONS



ELAND PART NO.	NETWORK RAIL PART NO. / PADS	NOMINAL CROSS SECTIONAL AREA mm ²	MINIMUM TENSILE STRENGTH RM N/mm ²	MINIMUM BREAKING LOAD FM kN	MINIMUM ELONGATION AT BREAK A ₂₀₀ %	MINIMUM ELECTRICAL CONDUCTIVITY AT 20°C m/ohms*mm ²	MINIMUM SPECIFIC CONDUCTIVITY x %IACS	MAXIMUM RESISTIVITY AT 20°C μohms*mm ²	MAXIMUM ELECTRICAL RESISTANCE R ohms/km	WEIGHT kg/km
91/010274	0091/010274	107	360	37.4	3	56.3	97	0.01777	0.171	951

The information contained within this datasheet is for guidance only and is subject to change without notice or liability. All the information is provided in good faith and is believed to be correct at the time of publication. When selecting cable accessories, please note that actual cable dimensions may vary due to manufacturing tolerances.